



55
KN



FORGED STEEL IN
MY BODY



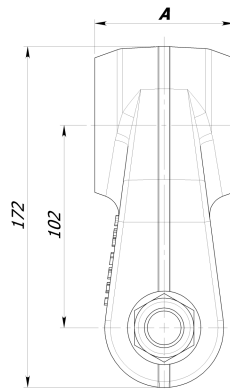
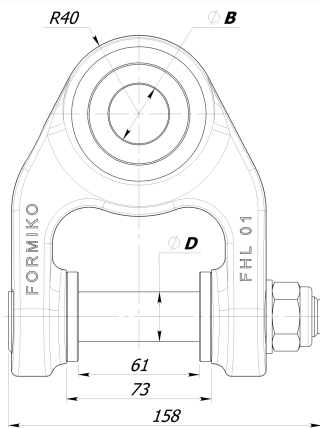
5
kg

Link or knuckle joint Link FHL 01 is designed to withstand loads up to 5.5t. Link FHL 01 is made from shock and deformation resistant forged steel. Links are the common way to connect crane tip with rotator and grapple or other tool. In any kind of market segments - forestry, agriculture general material handling - Formiko links are, probably, the best solution.



Link FHL 01 upper interface is performed in knuckle joint eye form factor and compatible with fork shape crane tip. Link designed width optional upper interface size. Available models for crane tip fork ends 60mm, 70mm, 80mm, . Available models for upper interface pin diameters 25mm, 30mm, 35mm, 40mm, 45mm, .

Formiko link FHL 01 is compatible with eye shape upper interface rotators. Various models for rotator upper interface widths 60mm, 73mm, 45mm, rotator and link connecting pin diameter options: 25mm, 30mm,



LINK FHL 01 MOUNTING SIZE OPTIONS

A Upper interface width	B Upper interface pin Ø	C Lower interface width	D Lower interface pin Ø
60mm	25mm	60mm	25mm
70mm	30mm	73mm	30mm
80mm	35mm	45mm	
	40mm		
	45mm		

exact.link.name **FHL 01-A/B -C/D**

For additional information relating to price levels and technical data, please contact sales@formiko.lv

Formiko Hydraulic s Ltd

Dzirciema Str. 119 k-1,
Rīga LV1055 LATVIA

+371 294 49 552

+371 264 59 383

sales@formiko.lv

www.formiko.lv

