



100
kN



**DOUBLE
ROLLER/TAPPER
BEARING**



**HYDRAULIC INPUTS
FROM OPPOSITE
SIDES**

-80
kN



1.80
ø35
mm



1/2"
BSP



250
bar



GO/GC
1/2"
BSP



GO
250
bar



GC
300
bar

50
kN

-40
kN

2800
nm

64
kg

30
l/min

Hydraulic rotator FHR 10FD2 is ideal for professional use in forestry, agriculture, road and building construction, recycling industry, general cargo and material handling.

Rotator's upper mount is applied in FORK form factor of the knuckle joint. Robust and tough built to withstand even overloads. The fork width (between fork ends) is common standard width 80mm and the knuckle pin diameter 35mm.



Rotator lower mount is applied in FLANGE form factor to mount direct on grapple / tool surface by fixing with screws



ø173
17(x6)
mm



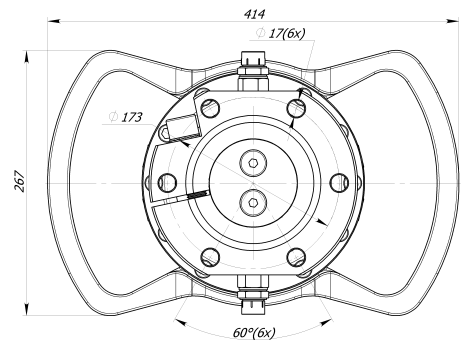
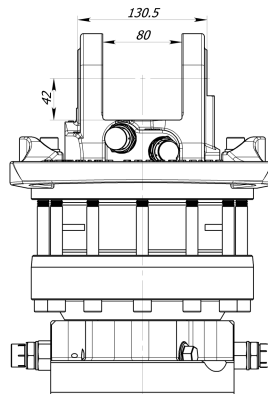
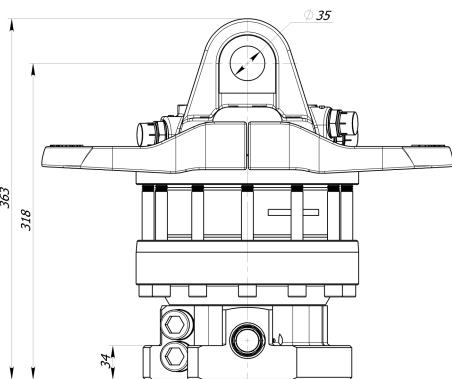
1/2"
BSP



GO/GC
1/2"
BSP



FHL 02



For additional information relating to price levels and technical data, please contact sales@formiko.lv

Formiko Hydraulic s Ltd

Dzirciema Str. 119 k-1,
Rīga LV1055 LATVIA

+371 294 49 552

+371 264 59 383

sales@formiko.lv

www.formiko.lv

On request by special conditions there are metric nipples available for rotator FHR 10FD2



FORESTRY

GENERAL CARGO

AGRICULTURE

CONSTRUCTION

RECYCLING





Hydraulic rotator FHR 10FD2 is ideal for professional use in forestry, agriculture, road and building construction, recycling industry, general cargo and material handling.



Rotator's upper mount is applied in FORK form factor of the knuckle joint. Robust and tough built to withstand even overloads. The fork width (between fork ends) is common standard width 80mm and the knuckle pin diameter 35mm.



Rotator lower mount is applied in FLANGE form factor to mount direct on grapple / tool surface by fixing with screws



Rotator FHR 10FD2 based on reliable vane type hydraulic motor which delivers torque up to 2800Nm at 25MPa.



Formiko Hydraulics rotator FHR 10FD2 is equipped with double bearings to withstand both tensional and pushing loads.



FHR 10FD2 is designed with opposite hydraulic channels, to ease the hose replacement in case of rupture.



Formiko rotator FHR 10FD2 is compatible with FHL 02 series links.



Rotator for shipping is packed in compact solid cardboard box with dimensions 400x250x250mm.



We providing TWO year warranty for this rotator.

For additional information relating to price levels and technical data, please contact sales@formiko.lv

Formiko Hydraulics Ltd

Dzirčiema Str. 119 k-1,
Rīga LV1055 LATVIA

+371 294 49 552

+371 264 59 383

sales@formiko.lv

www.formiko.lv

On request by special conditions there are metric nipples available for rotator FHR 10FD2

FORESTRY GENERAL CARGO AGRICULTURE CONSTRUCTION RECYCLING

